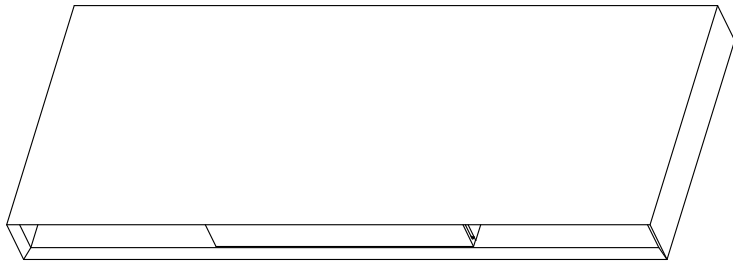


ASSEMBLY INSTRUCTION

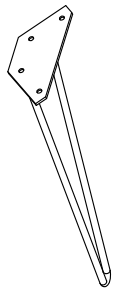
CD16738

COMPONENTS LIST

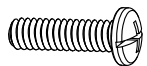
① Top x 1 - ctn(2 of 2)



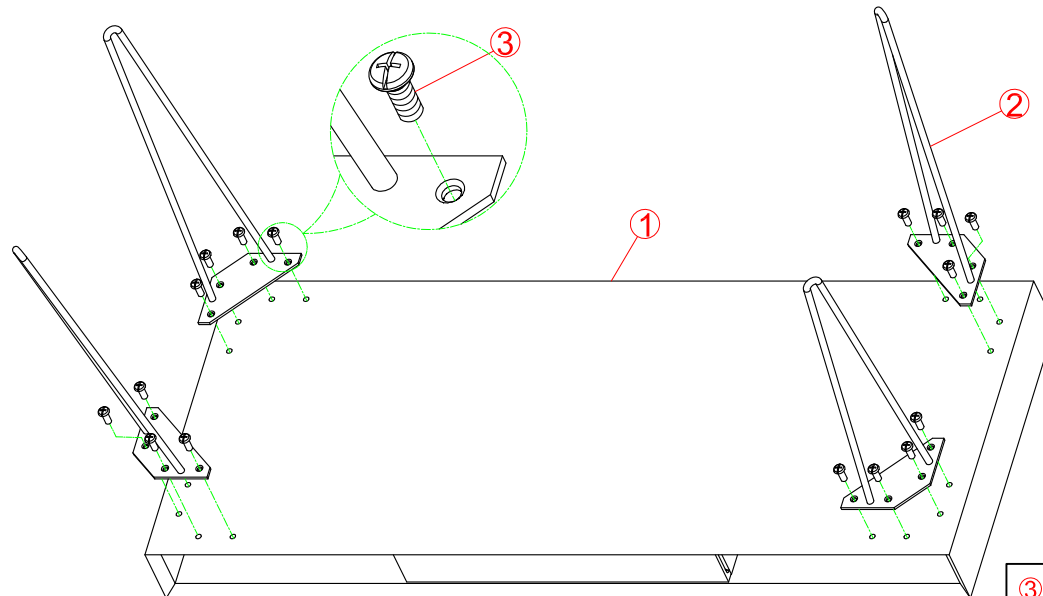
② Metal Leg x 4 - ctn(1 of 2)



③ Machine Screw x 16 - ctn(1 of 2)

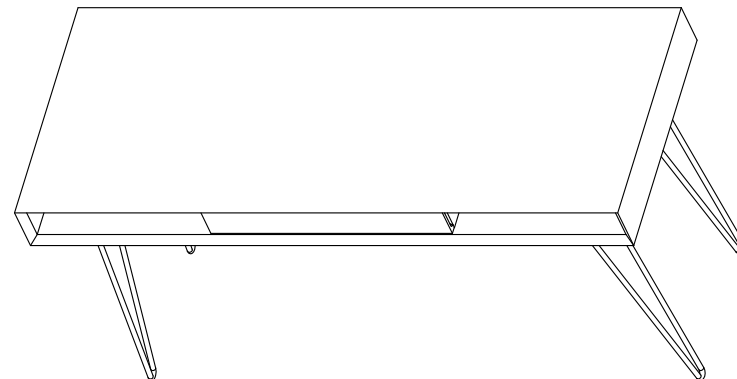


Step 1



Step 2

Completed



For missing parts or replacement , you may contact your merchant or its distribution center(Ph: 714-288-2005, Email:promanproducts@hotmail.com).
For any other questions, please contact Customer Service Department of the merchant from where you placed your order.