

ASSEMBLY INSTRUCTION

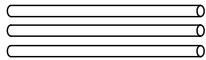
VL16001/VL16138/VL16140 Valet

COMPONENTS LIST

- ① 1" Machine Screw * 6
Note: These screws are installed already in metal tube ②



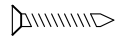
- ② Metal Tube * 3



- ③ 1/4" Insert Nut * 4



- ④ 1" Wood Screw * 2



- ⑤ Screw Hole Plug * 10



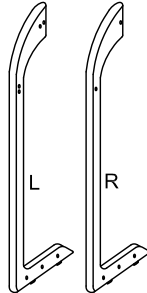
- ⑥ Tray Assembly * 1



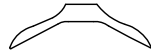
- ⑦ 2" Machine Screw * 4



- ⑧ L-Shape Upright * 2



- ⑨ Clothes Hanger * 1



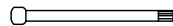
- ⑩ Hanger Support Bracket * 1



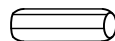
- ⑪ Trousers Bar * 1



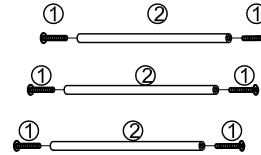
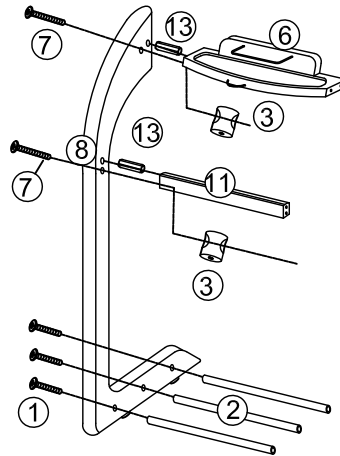
- ⑫ Tie Pin * 1



- ⑬ Wood Dowel * 4

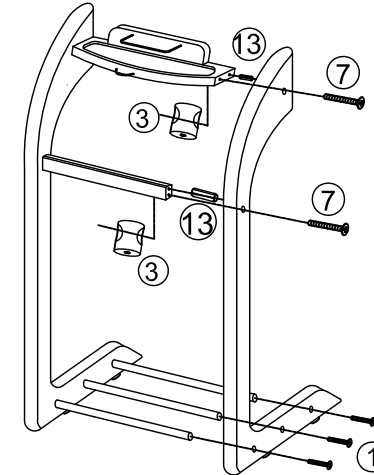


STEP 1



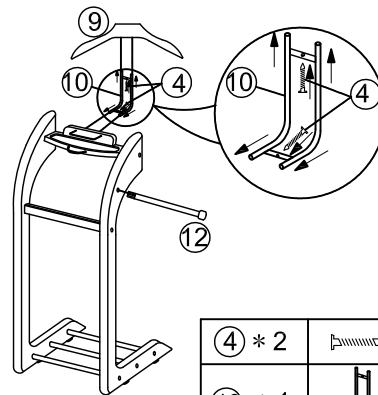
① * 3	
③ * 2	
⑦ * 2	
⑬ * 2	

STEP 2



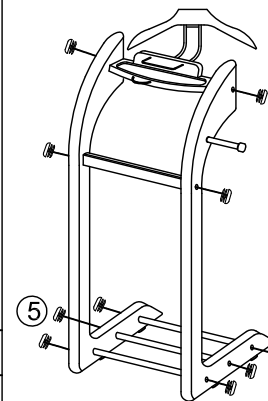
① * 3	
③ * 2	
⑦ * 2	
⑬ * 2	

STEP 3



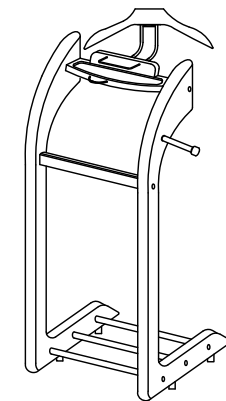
④ * 2	
⑩ * 1	
⑫ * 1	

STEP 4



⑤ * 10	
--------	--

STEP 5



Completed

For missing parts or replacement, you may contact your merchant or its distribution center (Ph: 714-288-2005, Email: promanproducts@hotmail.com). For any other questions, please contact Customer Service Department of the merchant from where you placed your order.