

ASSEMBLY INSTRUCTION

Any questions about this product
please contact our support center
at 714-288-2005

WM16678

COMPONENTS LIST

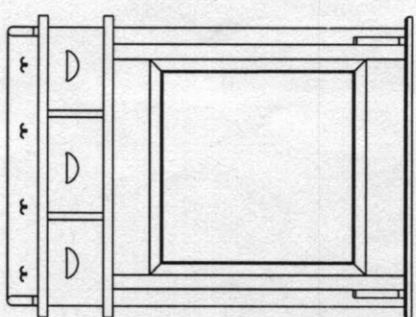
1



2



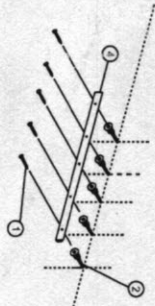
3



4

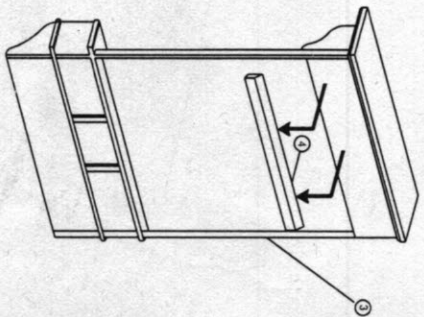


STEP 1

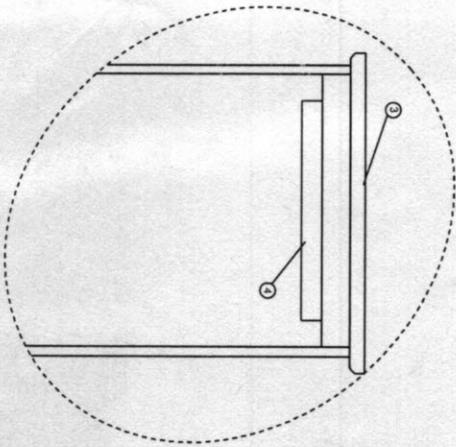


1x	5x	5x

STEP 2



STEP 3



STEP 4

