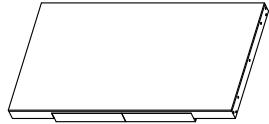


ASSEMBLY INSTRUCTION

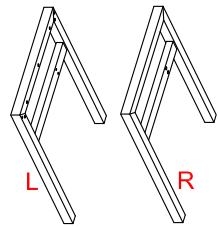
CD-16739

COMPONENTS LIST

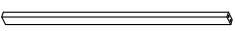
① Top x 1



② Leg Frame x 2



③ Stretcher x 1



④ Machine Screw Short x 10



⑤ Metal Washer x 14



⑥ Lock Washer x 10



⑦ Wood Dowel x 4



⑧ Machine Screw Long x 4



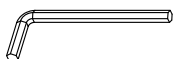
⑨ Insert Nut x 4



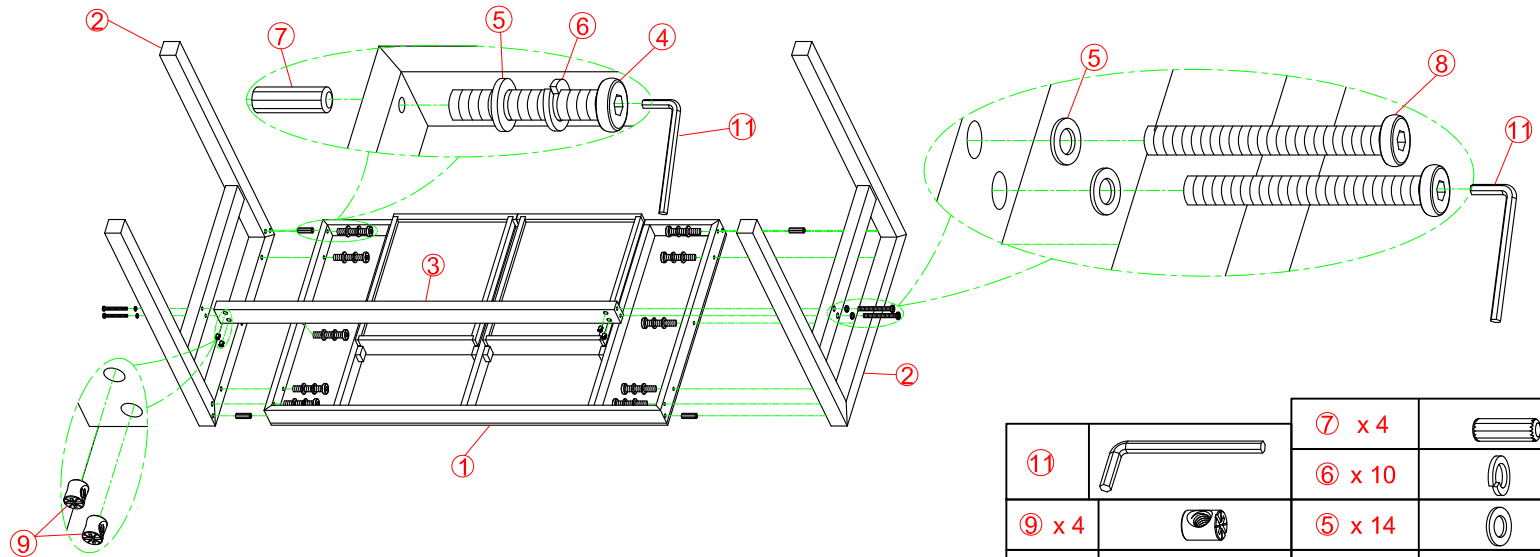
⑩ Hole Cover x 4



⑪ Hex Wrench x 1

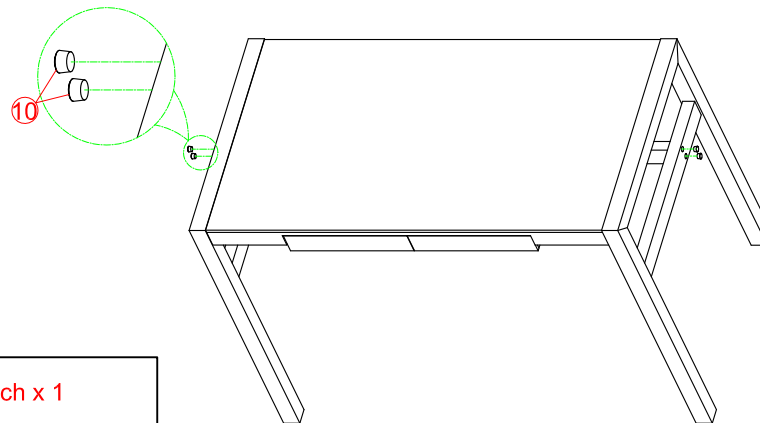


Step 1



| | | | |
|-------|--|--------|--|
| ① | | ⑦ x 4 | |
| ⑨ x 4 | | ⑥ x 10 | |
| ⑧ x 4 | | ⑤ x 14 | |
| | | ④ x 10 | |

Step 2

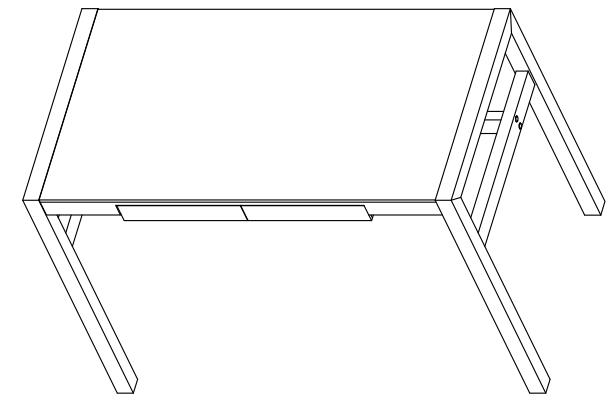


⑩ x 4



Step 3

Completed



For missing parts or replacement, you may contact your merchant or its distribution center (Ph: 714-288-2005, Email: promanproducts@hotmail.com). For any other questions, please contact Customer Service Department of the merchant from where you placed your order.