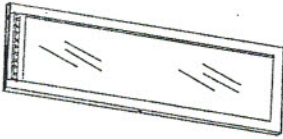











ITEM:CV17004

PARTS IDENTIFICATION

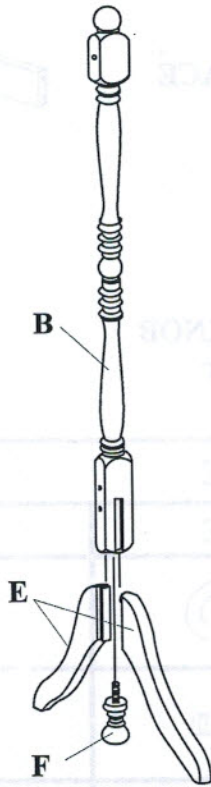
(A) MIRROR		1 PC	(D) CROSS BRACE		1 PC
(B) POST		2 PCS	(E) LEG		4 PCS
(C) TRIM		1 PC	(F) WOODEN KNOB WITH BOLT		2 PC

HARDWARE PACKAGE

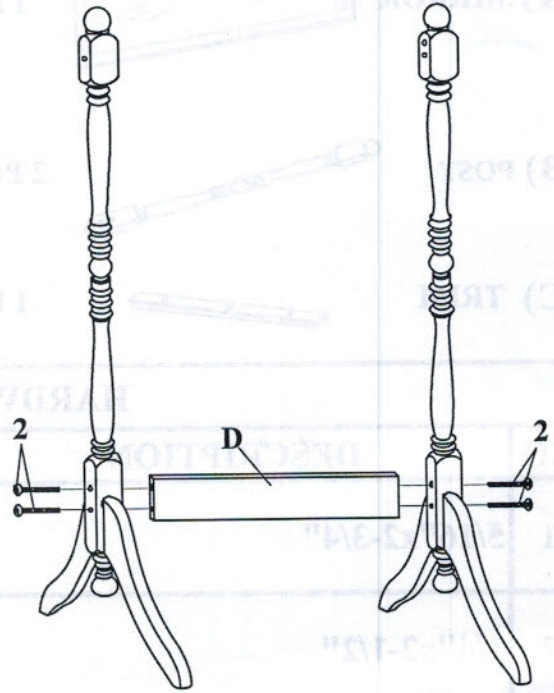
NO	DESCRIPTION	FIGURE	Q' TY
1	5/16"x2-3/4"		2 PCS
2	1/4"x2-1/2"		4 PC
3	5/16"x23mm		2 PC
4	#7x1"		2 PC

ITEM:CV17004

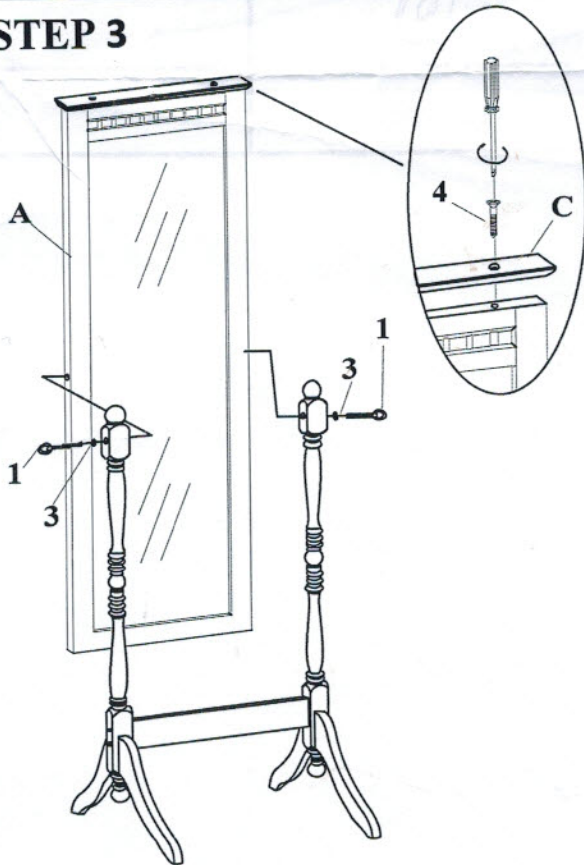
STEP 1



STEP 2



STEP 3



FINISH

