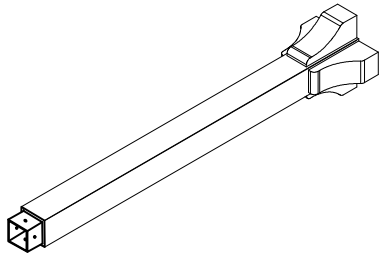


ASSEMBLY INSTRUCTION

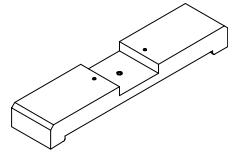
CT-17088

COMPONENTS LIST

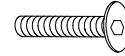
① Post-lower section x 1



④ Pedestal-bottom x 1



⑧ 2.5" Machine Screw x 1



⑨ Double Hook x 4



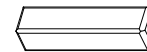
⑩ Single Hook x 4



⑪ Hex key x 1



⑫ Square wooden dowel x 1



⑬ Square section x 1



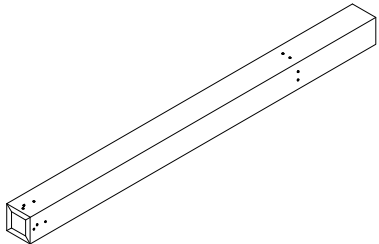
⑤ Wooden Dowel x 2



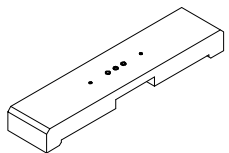
⑥ M4*12 Wood Screw x 24



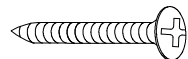
② Post-upper section x 1



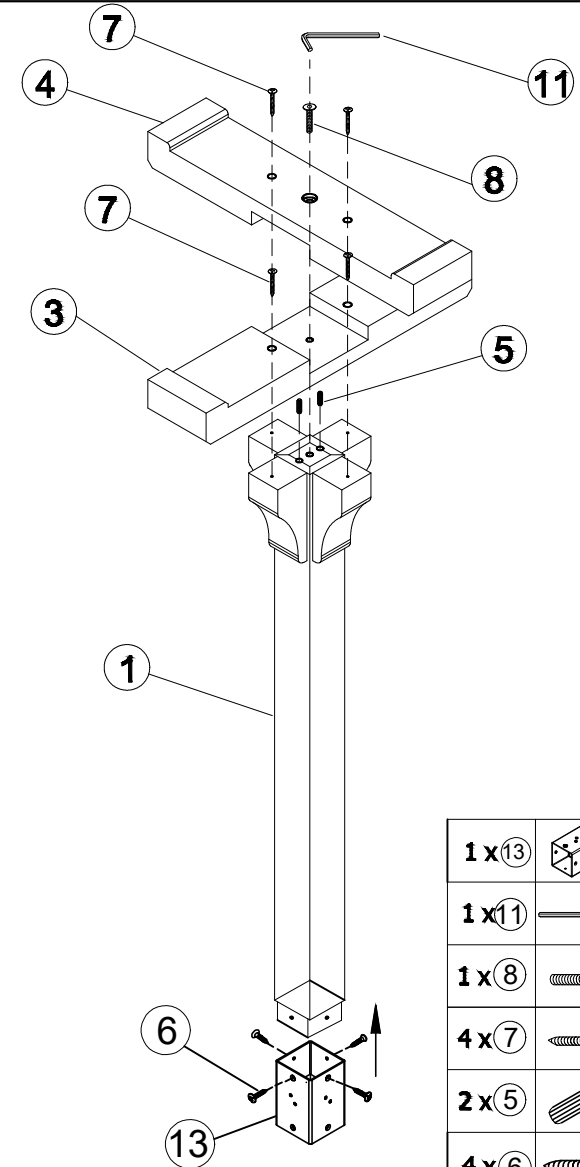
③ Pedestal-top x 1



⑦ M4*40 Wood Screw x 4



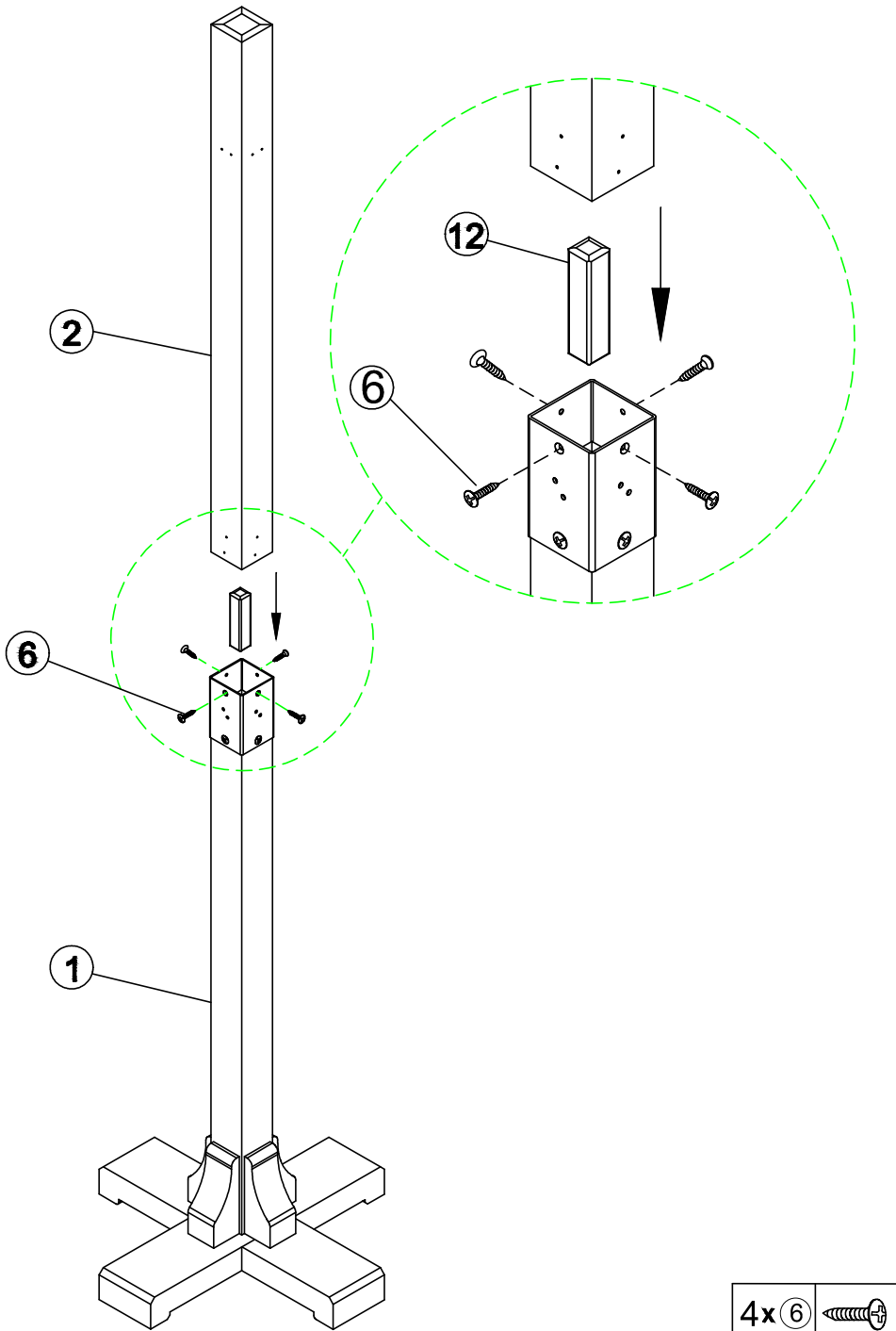
STEP 1



1 x ⑬	
1 x ⑪	
1 x ⑧	
4 x ⑦	
2 x ⑤	
4 x ⑥	

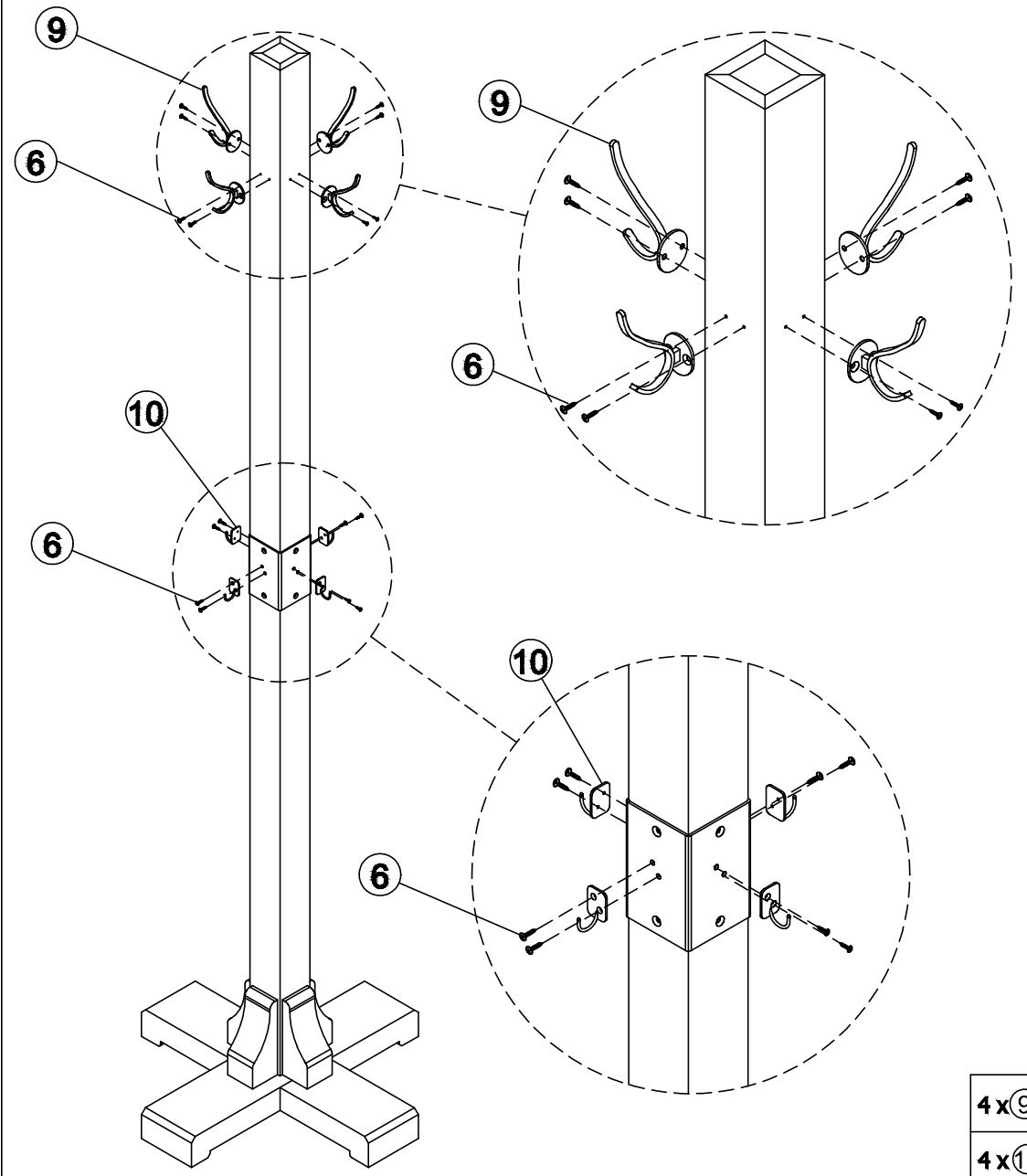
For missing parts or replacement, you may contact your merchant or its distribution center (Ph: 714-288-2005, Email: promanproducts@hotmail.com).
For any other questions, please contact Customer Service Department of the merchant from where you placed your order.



STEP 2



4x 6 

STEP 3



4x 9	
4x 10	
16x 6	