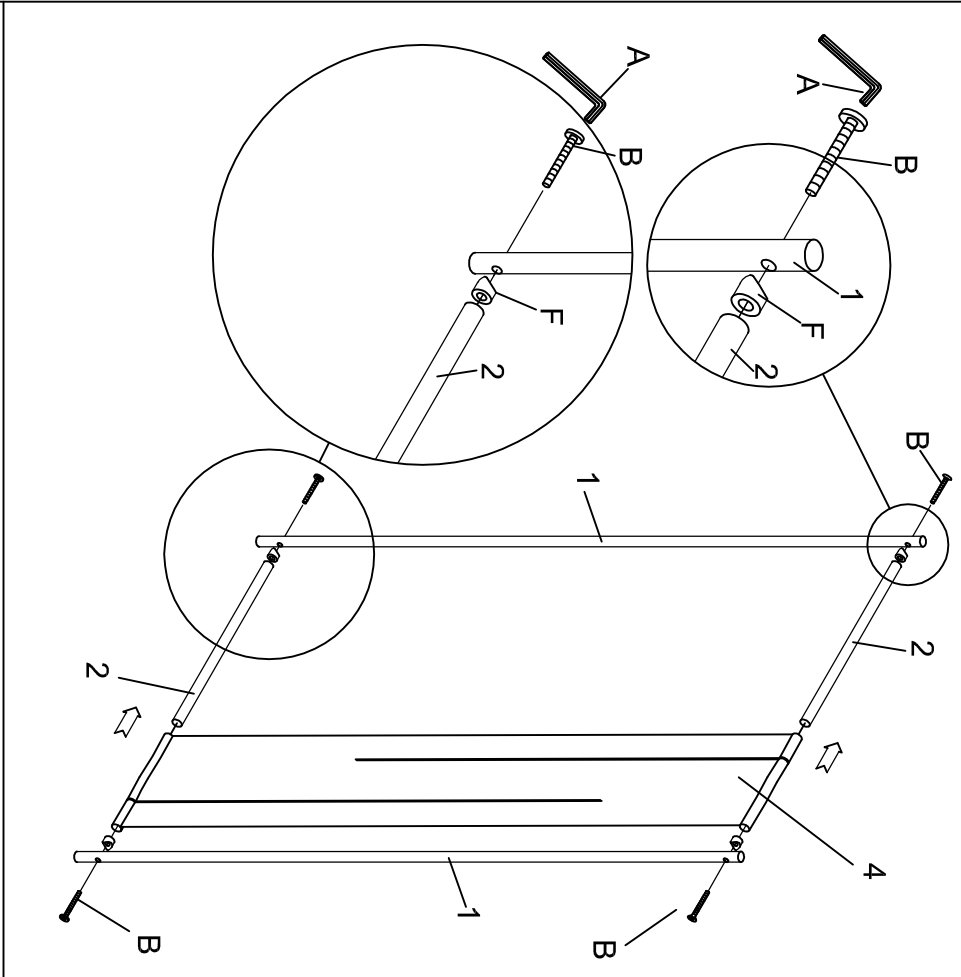
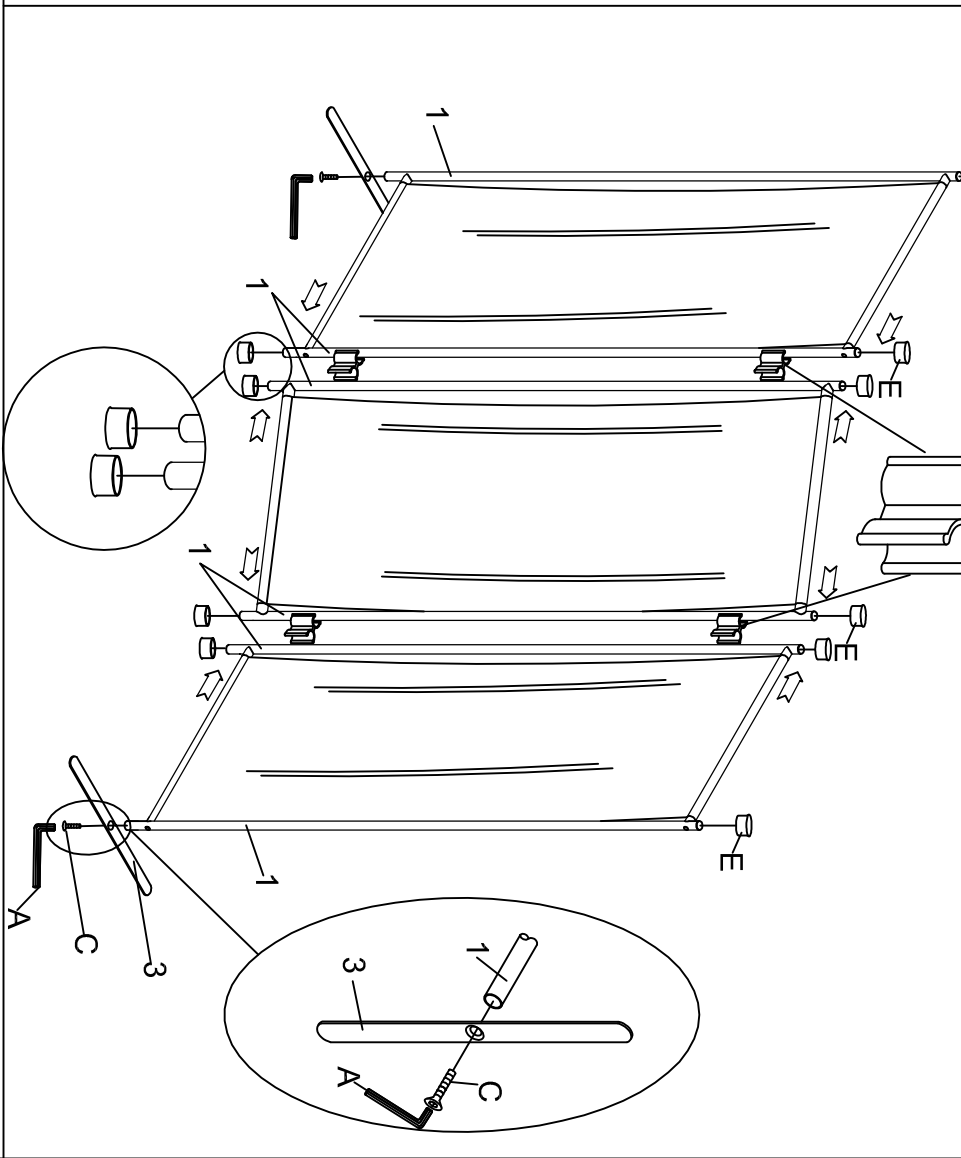


**** Do not tighten the bolts until all of them are assembled in position**


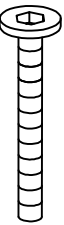
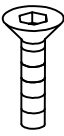

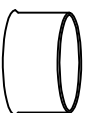

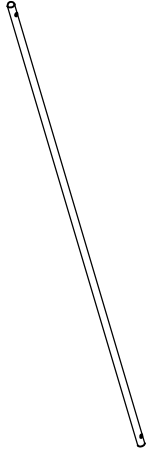
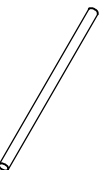
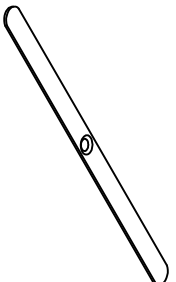

Step 1.



Step 2.



ACCESSORY PACK

<p>A</p>  <p>1PC</p>	<p>B</p>  <p>1/4" X 44 mm 12PCS</p>	<p>C</p>  <p>1/4" X 25 mm 2PCS</p>	<p>D</p>  <p>4PCS</p>	<p>E</p>  <p>10PCS</p>	<p>F</p>  <p>12PCS</p>
COMPLETE HARDWARE					
<p>1</p>  <p>6PCS</p>	<p>2</p>  <p>6PCS</p>	<p>3</p>  <p>2PCS</p>	<p>4</p>  <p>3PCS</p>		